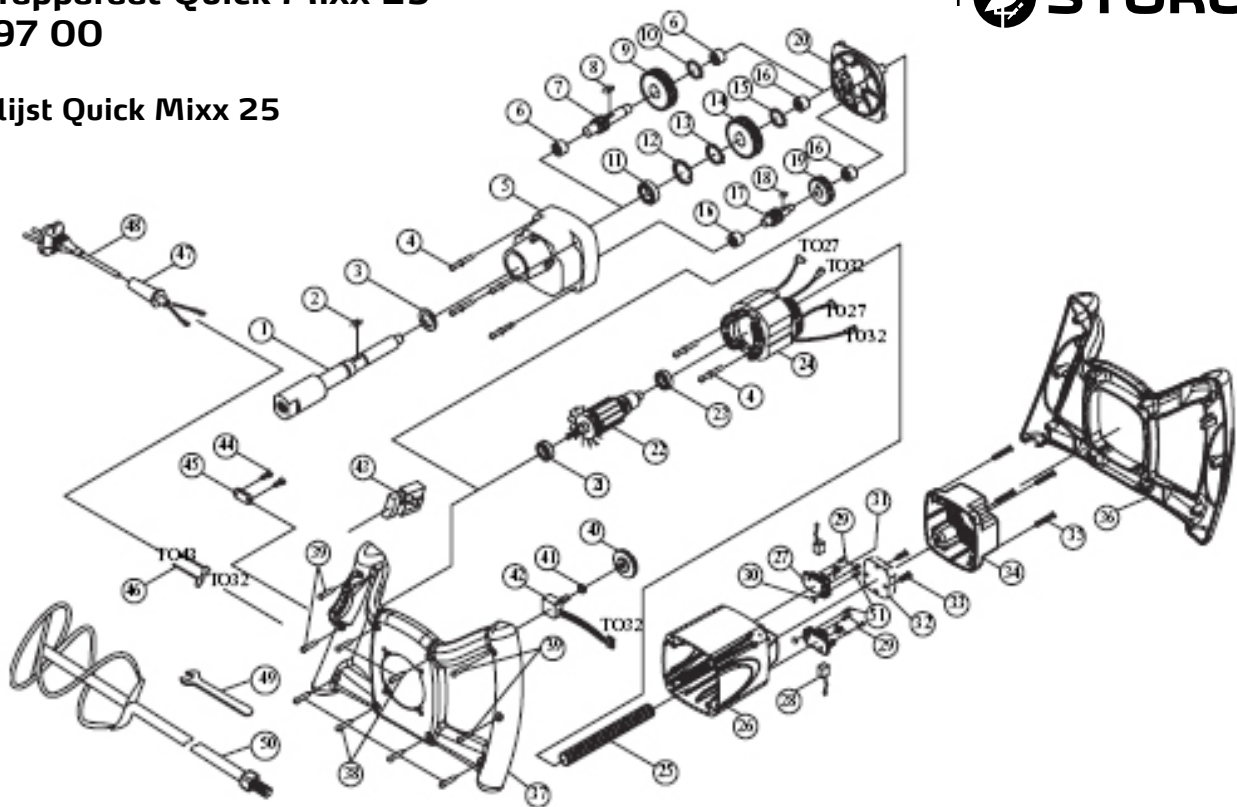


# Roerapparaat Quick Mixx 25

## 62 97 00



### Stuklijst Quick Mixx 25



| Pos. | Art. nr. | Omschrijving                  |          | Aantal | Pos. | Art. nr. | Omschrijving                |                  | Aantal |
|------|----------|-------------------------------|----------|--------|------|----------|-----------------------------|------------------|--------|
| 1    | 629702   | SPINDEL                       | M14xP2.0 | 1      | 25   | 629732   | KABELBESCHERMINGS-<br>BUIS  | M8               | 1      |
| 2    | 629703   | VEERWIG                       | 5x5x12   | 1      | 26   | 629733   | MOTORBEHUIZING              |                  | 1      |
| 3    | 629704   | DICHTING                      | 22x32x7  | 1      | 27   | 629734   | KOOLBORSTELHOUDER           |                  | 2      |
| 4    | 629706   | SCHROEF INCL. VEER-<br>SCHIJF | M5x60    | 6      | 28   | 629735   | KOOLBORSTEL                 |                  | 2      |
| 5    | 629707   | AANDRIJFBEHUIZING             | 1        | 1      | 29   | 629736   | SCHROEF                     | M4x12            | 4      |
| 6    | 629708   | NAALDLAGER                    | HK1010   | 2      | 30   | 629737   | ZESKANTMOER                 | M4               | 2      |
| 7    | 629709   | RONDSELAS                     | 10T-080  | 1      | 31   | 629738   | VEER                        |                  | 2      |
| 8    | 629711   | VEERWIG                       | 5x5x10   | 1      | 32   | 629739   | SENSOR MET EMV              | 230V             | 1      |
| 9    | 629712   | NEVENASWIEL                   | 30T      | 1      | 33   | 629740   | SCHROEF                     | M4x25            | 2      |
| 10   | 629713   | ZEKERINGSRING                 | S-12     | 1      | 34   | 629741   | MOTORAFDEKKING              |                  | 1      |
| 11   | 629714   | LAGER 6003ZZ                  |          | 1      | 35   | 629742   | SCHROEF                     | M5x20            | 4      |
| 12   | 629716   | ZEKERINGSRING                 | R-35     | 1      | 36   | 629743   | HANDGREEP (BOVEN)           |                  | 1      |
| 13   | 629717   | ZEKERINGSRING                 | S-17     | 1      | 37   | 629744   | HANDGREEP (ONDER)           |                  | 1      |
| 14   | 629718   | TANDWIEL                      | 34T      | 1      | 38   | 629745   | SCHROEF                     | M4X20            |        |
| 15   | 629719   | ZEKERINGSRING                 | S-15     | 1      | 39   | 629746   | SCHROEF                     | M4X25            | 4      |
| 16   | 629721   | NAALDLAGER                    | HK0810   | 3      | 40   | 629747   | INSTELWIEL TOERENTAL        |                  | 1      |
| 17   | 629722   | RONDSELAS                     | 14T      | 1      | 41   | 629748   | ZESKANTMOER                 | 1/4"X34          | 1      |
| 18   | 629723   | VEERWIG                       | 4X4X8    | 1      | 42   | 629749   | ELEKTRONISCH TOE-<br>RENTAL | EINSEL.<br>B100K | 1      |
| 19   | 629724   | NEVENASWIEL                   | 37T      | 1      | 43   | 629853   | SCHAKELAAR                  | 8301 230V        | 1      |
| 20   | 629726   | TRANSMISSIE-AFDEK-<br>KING    |          | 1      | 44   | 629751   | SCHROEF                     | M4X14            | 2      |
| 21   | 629727   | LAGER                         | 609 2RS  | 1      | 45   | 629752   | KABELBEVESTIGING            |                  | 1      |
| 22   | 629728   | ANKER                         | 230V     | 1      | 46   | 629753   | KABEL                       | 16AWG            | 2      |
| 23   | 629729   | LAGER                         | 608ZZ    | 1      | 47   | 629754   | KABELWEERSTAND              |                  | 1      |
| 24   | 629731   | STATOR                        | 230V     | 1      | 48   | 629755   | STROOMKABEL                 | 230V             | 1      |
|      |          |                               |          |        | 49   | 629756   | SCHROEFSLEUTEL              | M22              | 1      |
|      |          |                               |          |        | 51   | 629757   | SCHROEF                     | M4x10            | 2      |